

Model 595

Detachable Level Transmitter



A submersible level transmitter with a twist!

- The DLT series allows for a quick sensor swap without the removal of your installed cable. No special tools are required. Simply pull up sensor, twist the sensor coupling sleeve till it is no longer engaged and then just separate the two halves!
- The Viatran Model 595 DLT is a submersible transmitter specifically designed to meet the challenging demands of liquid measurement. The ability to detach the sensor can be an enormous time saver when or if it's ever needed.
- Available in ranges from 0-16 Inches W.C. to 0-335 Feet W.C.
- Polyurethane (PUR) cable is the most popular, Polyvinyl Chloride (PVC) & Fluorinated Ethylene-Propylene (FEP) cables are also offered.
- Liquid Level & Depth, Water & Wastewater, Lift Stations, Reservoirs & Dams, Rivers, Holding Ponds, Wells, In-ground/Above Ground Tanks, and Inventory Tank Gauging.



Performance	Pressure Ranges From	0-16 Inches W.C. to 0-335 Feet W.C.
	Accuracy	≤ +/- 0.35% FSO Standard
	[Combined Non-Linearity (BFSL), Hysteresis & Repeatability]	≤ +/- 0.25% FSO Improved
	Compensated Temperature Range	32° to 122° F (0 to 50° C)
	Operating Temperature Range	14° to 122° F (-10 to 50° C) Note: Medium must not freeze near sensor
	Storage Temperature Range	14° to 122° F (-10 to 50° C)
	Long Term Stability (%FSO)	≤ +/- 0.1% FSO / year at reference conditions
	Thermal Effect on Zero	≤ +/- 0.1% FSO per 100° F
	Thermal Effect on Span	≤ +/- 0.1% FSO per 100° F
Electrical	Output Signal	4-20 mA
	Supply Voltage	10-32 Vdc
	Power Supply Regulation	< +/- .005% FSO per volt
	Circuit Protection	Reverse polarity protected, CE marked
	RFI/EMI	CE EMC compliant as per IEC EN 61326
	Voltage Spike Protection	Withstand 1000 volt spike per EN 61000
	Response Time	≤ 380mSec
Mechanical	Pressure Connection	Open Face
	Ingress Protection	IP 68
	Overpressure Limit	6x Minimum (≥ 134 Ft. range = 3.2x)
	Weight	0.9 lbs. (without cable)
Materials of Construction	Housing	PVC
	Sensor Diaphragm	Ceramic Al ₂ O ₃ 96%
	O-ring Seals	FKM or EPDM (customer specified)

Viatran

3829 Forest Parkway
Suite 500
Wheatfield, NY 14120

Hotline: 1-800-688-0030
Phone: 1-716-629-3800
Fax: 1-716-693-9162

Email: solutions@viatran.com
Web: www.viatran.com



Model 595 Detachable Level Transmitter

How to Order

MODEL	UNITS OF PRESSURE	PRESSURE RANGE	SEALS	CABLE FORMAT	ACCURACY	CABLE LENGTH	OPTIONS
595	(1 digit)	(4 digits)	(2 digits)	(2 digits)	(1 digit)	(3 digits)	(2 digits)

Units of Pressure

- F Feet of Water Column
- I Inches of Water Column

Pressure Range

Any Range from 0-16 Inches W.C. up to 0-335 Feet W.C. can be specified at no additional cost.
(Ranges must be in Inches WC or Feet WC)

*Consult factory for range code

**Please advise if specific gravity is other than 1

Example of Four Digit Codes:

Range	Four Digit Codes for Range
5	= 5 0 0 0 Insert Range Code 5000
10	= 1 0 0 1 Insert Range Code 1001
15	= 1 5 0 1 Insert Range Code 1501
50	= 5 0 0 1 Insert Range Code 5001
100	= 1 0 0 2 Insert Range Code 1002
250	= 2 5 0 2 Insert Range Code 2502
835	= 8 3 5 2 Insert Range Code 8352

Seals

- GK Fluoroelastomer (FKM)
- GD Ethylene Propylene (EPDM)

Cable Format

- PC Polyvinyl Chloride (PVC)
- TL Polyurethane Cable (PUR) *Stocked in select lengths for fast delivery
- PA Fluorinated Ethylene-Propylene (FEP)

Accuracy

- 3 Standard Accuracy +/- 0.35% FSO (BFSL)
- 2 Improved Accuracy +/- 0.25% FSO (BFSL)

Cable Length

- XXX Listed in Whole Meters Only (must be 3 digits - ex. 012 = 12 Meters)

Options

- EA Special Calibration Run
- PW Calibrate item with meter/display



Information is accurate to the best of Viatran's knowledge. We reserve the right to change specifications at any time. Please contact Viatran for specific order inquiries.

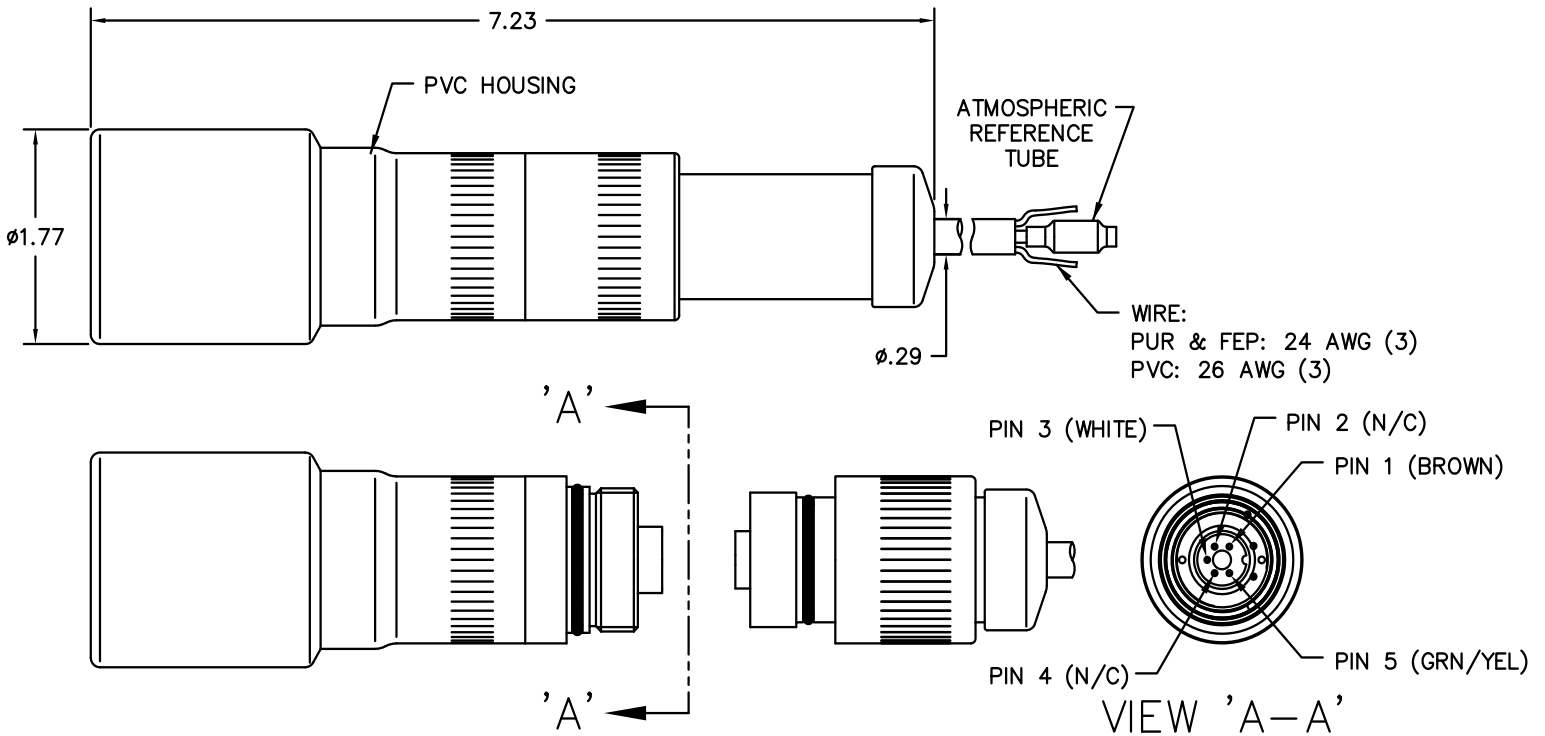
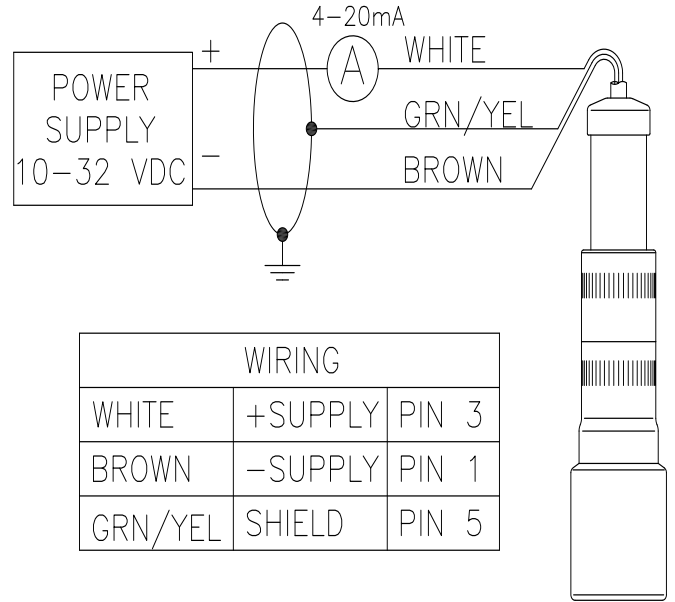


Model 595 Detachable Level Transmitter

Connection Diagrams & Wiring

The standard wiring of your Viatran detachable level transmitter is outlined below. The wiring information is also marked on your unit.

The 595 detachable level transmitter can be powered by a DC power supply ranging from 10 to 32 volts. See installation manual for more details.



Information is accurate to the best of Viatran's knowledge. We reserve the right to change specifications at any time. Please contact Viatran for specific order inquiries.