



**FEATURES**

- USB 2.0 communication link
- USB bus-powered
- Input/output short circuit protection
- Streaming ASCII output
- CE approved
- Supports voltage sensors (FSH03631)
- Supports current sensors (FSH03634)

**SPECIFICATIONS**

**GENERAL**

Sampling Rate	Up to 4800 samples per second
Bandwidth (Hz)	Sampling Rate (SPS)/4
Internal Resolution	24 bits
Resolution (Noise Free)	See chart on page 2
Nonlinearity	± 0.005% of FSR
Output	Digital packetized data
Integrated Digital Filter	50 Hz/60 Hz rejection (100 dB)
On-chip Memory	1 Kilobyte
Stored Calibration	Up to 16 points
Weight	Approximate 10 g

**POWER SUPPLY**

Voltage Rating	USB bus (5 V ± 5%)
Current Consumption	350 mA

**VOLTAGE TYPE (FSH03631)**

Power Output	12 ± 0.5 VDC/1 W
Voltage Input	± 10 VDC

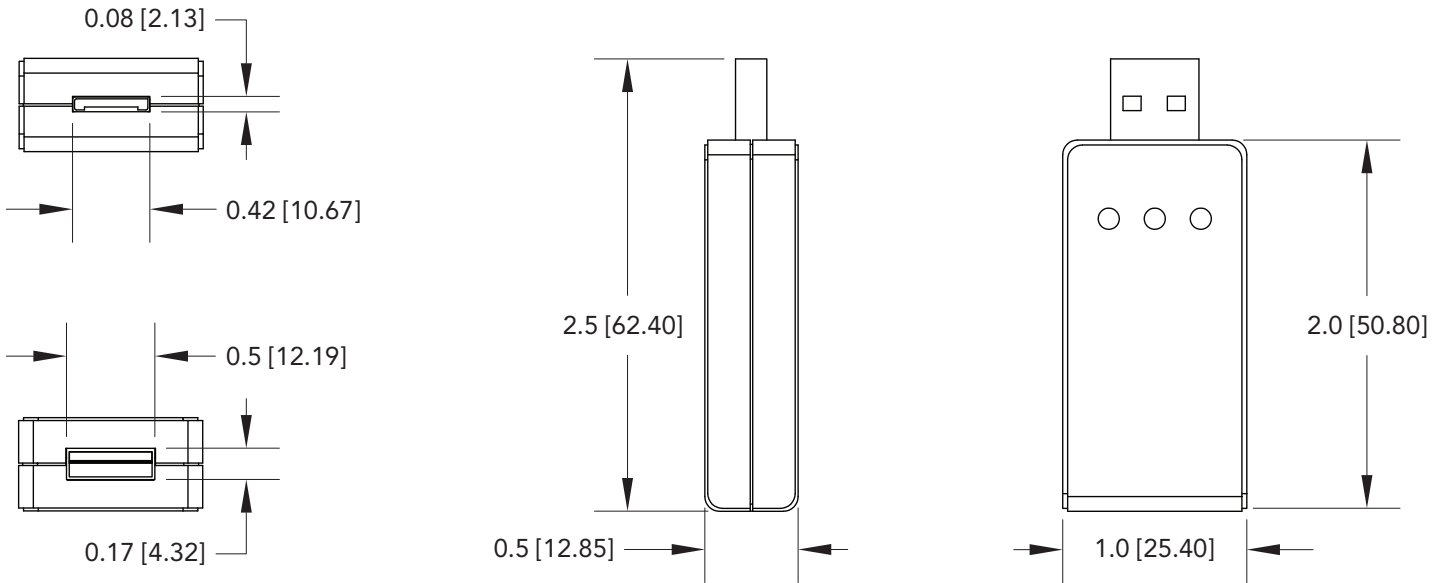
**CURRENT TYPE (FSH03634)**

Power Output	12 ± 0.5 VDC/1 W
Current Input	0–20 mA

**CONNECTORS**

Mating Connector	Hirose LX40-12P
Connector Receptacle	Hirose LX60-12S
USB 2.0 Connector	Type A plug

**DIMENSIONS** inches [mm]



**SPECIFICATIONS** (continued)

**ENVIRONMENT**

Operating Temperature	-13 to 185°F [-25 to 85°C]
Storage Temperature	-40 to 257°F [-40 to 125°C]

**CONFORMITY**

RoHS	2011/65/EU
CE	EN 61326-1:2006

**LED INDICATORS**

Blinking Blue (10 Hz)	Module Auto-Calibration
Blinking Blue (1 Hz)	Module Normal Operation
Green	USB Power
Red	USB Data Link

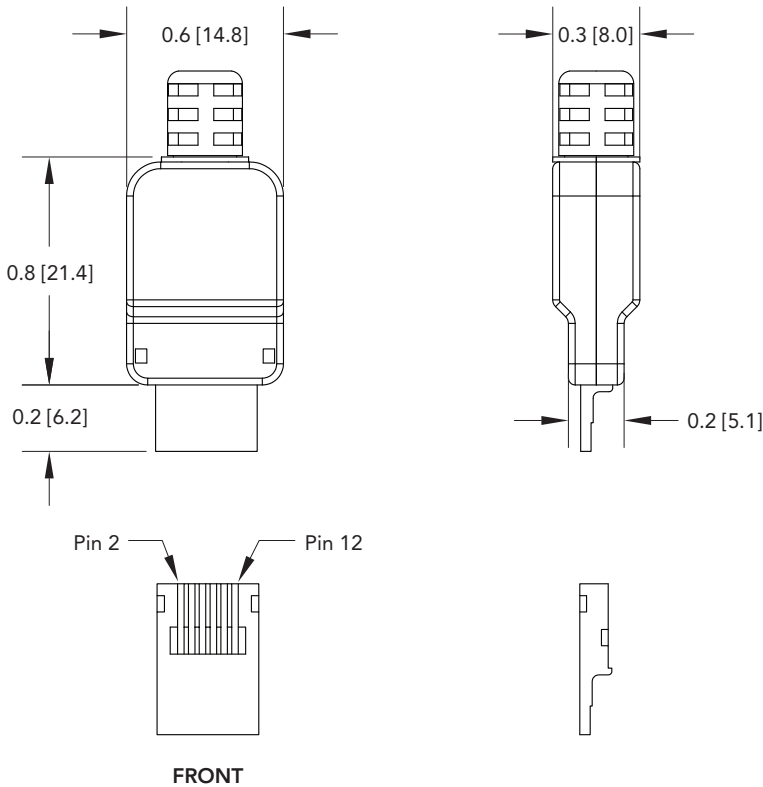
**RESOLUTION**

SAMPLES PER SECOND (SPS)	AMPLIFIED INPUT RESOLUTION
5	21.0
10	20.4
100	19.0
300	18.1
1200	17.0
2400	16.0
4800	16.0

**ACCESSORIES**

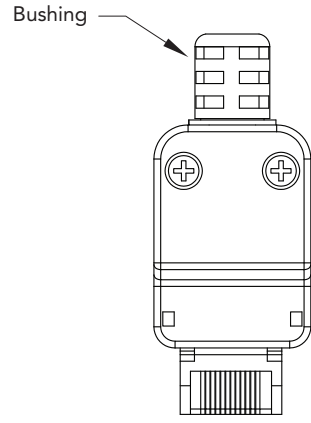
- FUTEK's SENSIT™ Software** (FSH03189)  
 14 Day Trial - Available to download on FUTEK website. A license is required, per seat, after 14 days to benefit the features such as data logging, graphing, etc. Trial version turns into basic read-out ONLY after 14 days and a product key is required to enable the features.

**DIMENSIONS** inches [mm]



**BUSHING SIZES** inches [mm]

0.16 [4.0]
0.18 [4.5]
0.20 [5.0]



**HIROSE MALE (sensor side) ZCO940 item number FSH03320**

PIN #	(FSH03631) USB320 4 WIRE VOLTAGE	(FSH03631) USB320 3 WIRE VOLTAGE	(FSH03634) USB320 3 WIRE CURRENT	(FSH03634) USB320 2 WIRE CURRENT
1	+SIGNAL	+SIGNAL	+SIGNAL	+SIGNAL
2	-SIGNAL	N/A	N/A	N/A
5	N/A	N/A	N/A	N/A
6	N/A	N/A	N/A	N/A
9	N/A	N/A	N/A	N/A
10	N/A	N/A	N/A	N/A
11	+EXC	+EXC	+EXC	+EXC
12	-EXC / SHIELD <sup>1</sup>	-EXC / SHIELD <sup>1</sup>	-EXC / SHIELD <sup>1</sup>	N/A

<sup>1</sup> Use Y connection on pin 12 to make connecting the -EXCITATION and SHIELD easier.

\*FSH03634 has -Signal (Pin 2) and -Excitation (Pin 12) internally connected.

Drawing Number: FI1380

FUTEK reserves the right to modify its design and specifications without notice. Please visit <http://www.futek.com/salesterms> for complete terms and conditions.

10 Thomas, Irvine, CA 92618 USA

Tel: (949) 465-0900

Fax: (949) 465-0905

[www.futek.com](http://www.futek.com)



U.S. Manufacturer